

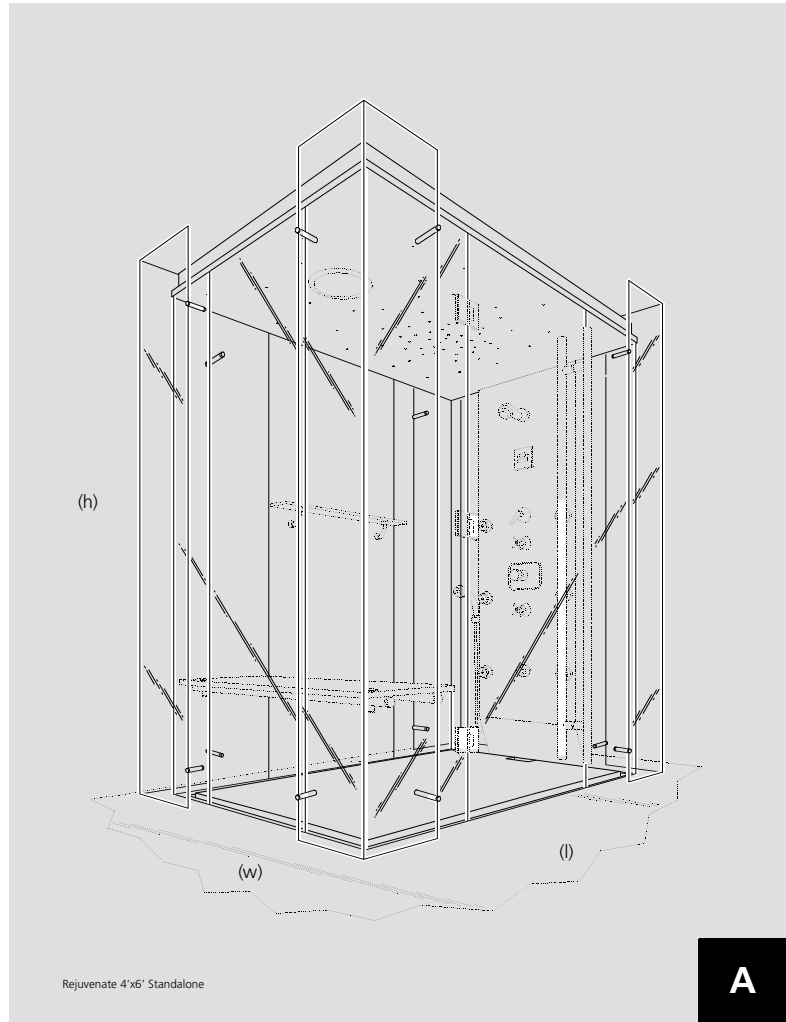


Sculptured Homes.

REJUVENATE

4X6

SPEC SHEET v3.2



Rejuvenate 4'x6' Standalone

Components (standard options):

Rejuvenate 4x6 is supplied with the following components:

ENCLOSURE

- 3/8" (10mm) tempered glass
- One 32" outward swing 3/8" tempered glass door
- Four 3/8" (10mm) tempered architectural glass columns
- One 3/8" tempered glass shelf
- Solid surface seat (with optional upgrade to 3/4" tempered glass)
- Chrome hardware (door hinges, handle, seat support, shelf hinges)
- Sculptured Homes' patented floor system with perimeter channel drain (solid surface)
- Standard 2" shower stall drain with stainless steel cover
- Ceiling, with polypropylene dual tweeter stereo speaker & 25ft. speaker wire and 75 point random constellation fiber-optic lighting
- Fiber-optic 120v illuminator with 25ft. fiber optic cable, UL listed for damp and dry locations
- Solid surface wet-wall, pre-plumbed and pressure tested. Copper L pipe.

PLUMBING FIXTURES AND FITTINGS

Please contact your local WetSpa distributor for the full range of WetSpa fixtures and steam options. If you do not have a local distributor or are purchasing direct from Sculptured Homes, standard fixtures include:

- 6 Grohe Relexa Plus body jets (2.5 gpm each)
- 1 Grohe Relexa Plus Top 4 head shower (2.5 gpm)
- 1 Grohe Relexa Plus Top 4 hand shower (2.5 gpm)
- 1 Grohe Relexa Plus wall union, holder & 59" metal hose
- 18 gpm Grohe thermostatic control valve
- 2 Grohe volume control valves with trim
- 1 Grohe 3 port diverter with trim
- Solid surface splash panel pre-assembled with pre-plumbed & pressure tested copper & brass manifold (3/4" balancing loop)
- Steamist SM8 steam generator
- Steamist DSP10 dual control panels.

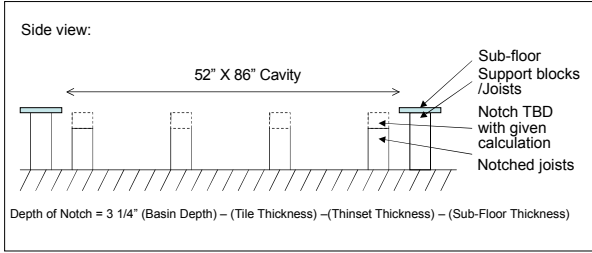
Please Note:

The solid surface floor system can be tiled. Sculptured Homes recommends tile no greater than 3in x 3in. Tile not supplied.

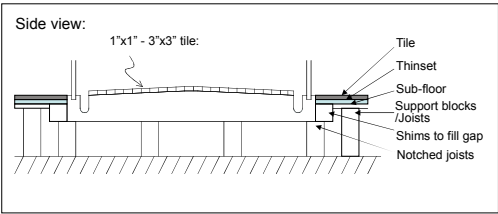
To inset the floor system to integrate seamlessly with the exterior floor surface, (see Diagram B) consult your architect.

For Rejuvenate installations, Sculptured Homes recommends no less than 8" between the columns and the nearest wall(s) to ensure adequate access for painting & cleaning. The columns can be removed to provide an additional 4" (total access space of 1ft) if required.

SIDE VIEW - TO INSET THE FLOOR SYSTEM:



NOTE: CONSULT YOUR ARCHITECT TO DETERMINE WHETHER ADDITIONAL REINFORCEMENT IS REQUIRED BEFORE INSETTING THE FLOOR SYSTEM



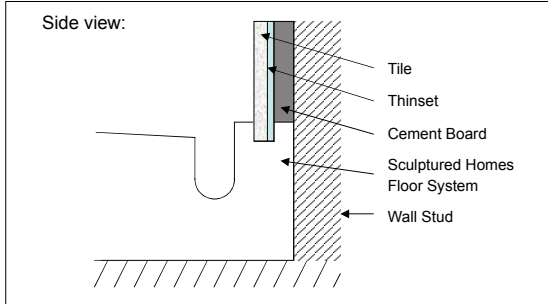
B

TO INSTALL THE WETSPA IMMEDIATELY ADJACENT TO EXISTING WALLS:

Rejuvenate is a standalone model for which Sculptured Homes recommends no less than 8" between the columns and nearest walls.

C

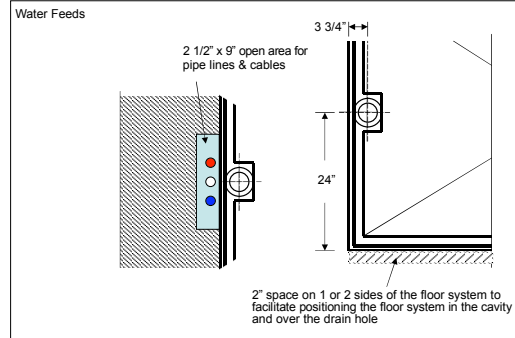
TO INTEGRATE SCULPTURED HOMES COMPONENTS INTO EXISTING WALLS:



Floor system shown by way of illustration Can also be installed using Sculptured Homes tile flanges.

D

PLUMBING



ELECTRICAL

Steam generator: 208v / 240v
Fibre-optic illuminator: 120v

E

Dimensions & Weight:

A. Inset to sit level with existing floor, standalone:

	Dimensions	Weight
Standalone	80" (l) x 56" (w) x 94" (h)	1,930 lbs

B. Installed on top of existing floor, standalone:

	Dimensions	Weight
Standalone	80" (l) x 56" (w) x 94" (h)	1,930 lbs

Installation Options:

- C.** Rejuvenate is offered as a standalone model only.
- D.** For cases where the enclosure must incorporate one or more existing walls, Sculptured Homes offers individual components for sale. Please consult the Sculptured Homes Components Catalogue for details.

Water Feeds:

- E.** Source hot, cold and steam feeds at floor level.
Flow rate: Up to 17.5gpm.
Water pressure: 14.5 - 72.5 psi
Pre-plumbed pressure tested plumbing manifold terminates with:
 - Hot and cold: 3/4" type L copper pipe
 - Steam: 1/2" or 3/4" type L copper pipe, per the manufacturer's specs.

Electrical:

- E.** Steam generator: 208v / 240v depending on local utility line voltage
Fibre-optic illuminator: 120v
Location: up to 25ft from the WetSpa. See Steamist SM-8 technical literature for technical installation details.