

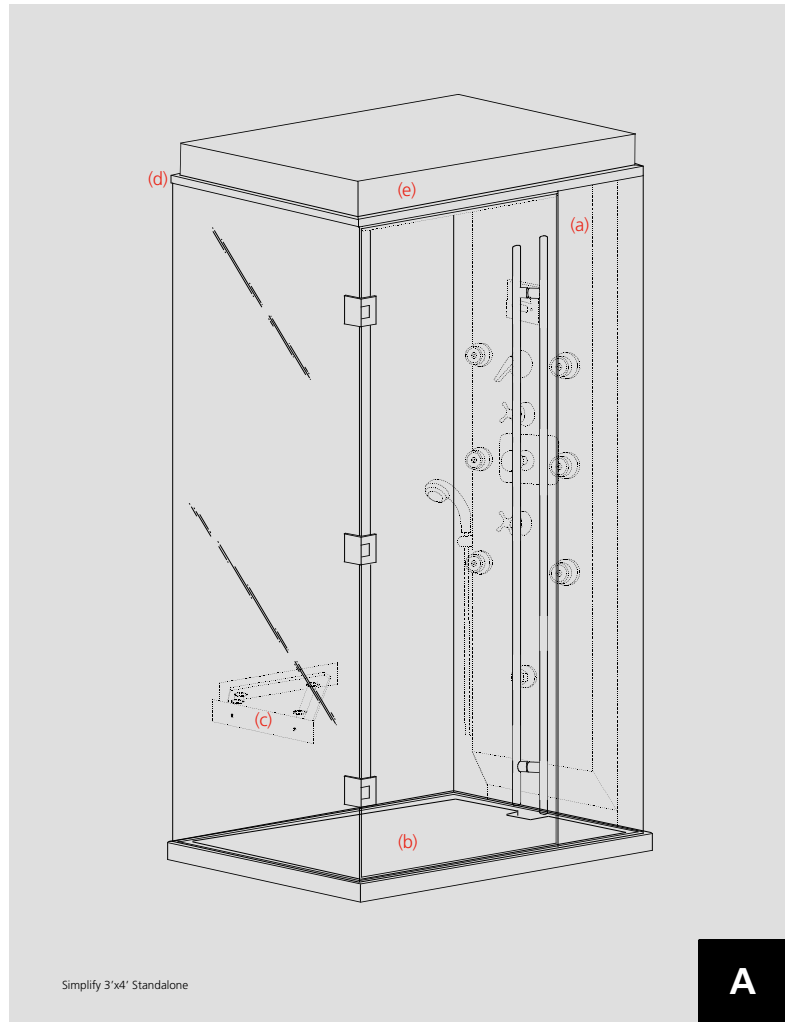


Sculptured Homes.

SIMPLIFY

3X4

SPEC SHEET v3.2



Simplify 3'x4' Standalone

### Components (standard options):

Simplify 3x4 is supplied with the following components:

#### ENCLOSURE

- 3/8" (10mm) tempered glass with optional back-painted rear and side panels for installation in a corner
- One 32" outward swing 3/8" tempered glass door
- Solid surface seat (with optional upgrade to 3/4" tempered glass)
- Chrome hardware (door hinges, handle, seat support)
- Sculptured Homes' patented floor system with perimeter channel drain (solid surface)
- Standard 2" shower stall drain with stainless steel cover
- Ceiling, with polypropylene dual tweeter stereo speaker & 25ft. speaker wire and 50 point random constellation fiber-optic lighting
- Fiber-optic 120v illuminator with 25ft. fiber optic cable, UL listed for damp and dry locations
- Solid surface wet-wall, pre-plumbed and pressure tested. Copper L pipe.

#### PLUMBING FIXTURES AND FITTINGS

Please contact your local WetSpa distributor for the full range of WetSpa fixtures and steam options. If you do not have a local distributor or are purchasing direct from Sculptured Homes, standard chrome shower and steam fixtures include:

- 6 Grohe Relexa Plus body jets (2.5 gpm each)
- 1 Grohe Sena head shower (2.5 gpm)
- 1 Grohe Sena hand shower (2.5 gpm)
- 1 Grohe Relexa Plus wall union, holder & 59" metal hose
- 18 gpm Grohe thermostatic control valve with Atrio trim
- 2 Grohe volume control valves with Atrio trim
- 1 Grohe 3 port diverter with Atrio trim
- Solid surface splash panel pre-assembled with pre-plumbed & pressure tested copper L pipe & brass manifold (3/4" balancing loop)
- Steamist SM7 steam generator
- Steamist DSP10 dual control panels.

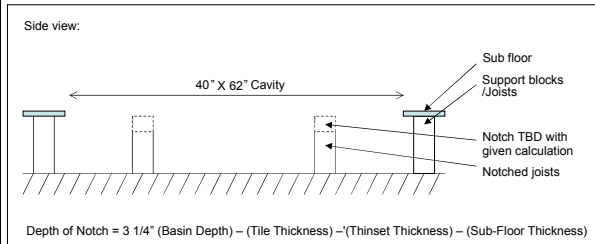
#### Please Note:

The solid surface floor system can be tiled. Sculptured Homes recommends tile no greater than 3in x 3in. Tile not supplied.

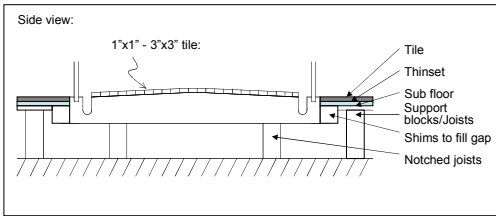
To inset the floor system to integrate seamlessly with the exterior floor surface (see Diagram B), consult your architect.

For standalone installations (see Section C), Sculptured Homes recommends no less than 12" between the WetSpa and the nearest wall(s) to ensure adequate access for painting & cleaning, unless opaque architectural glass is used for back wall(s) of the WetSpa, in which case it can be installed immediately adjacent to existing walls. Alternatively, individual components can be integrated with 1, 2 or 3 existing walls (see Section D).

### SIDE VIEW - TO INSET THE FLOOR SYSTEM:

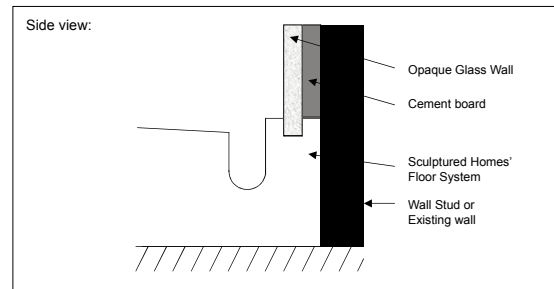


NOTE: CONSULT YOUR ARCHITECT TO DETERMINE WHETHER ADDITIONAL REINFORCEMENT IS REQUIRED BEFORE INSETTING THE FLOOR SYSTEM



**B**

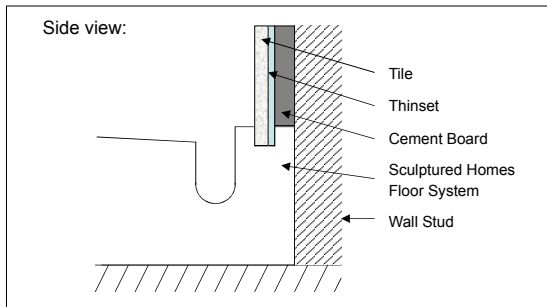
### TO INSTALL THE WETSPA IMMEDIATELY ADJACENT TO EXISTING WALLS:



Install immediately adjacent, as shown.

**C**

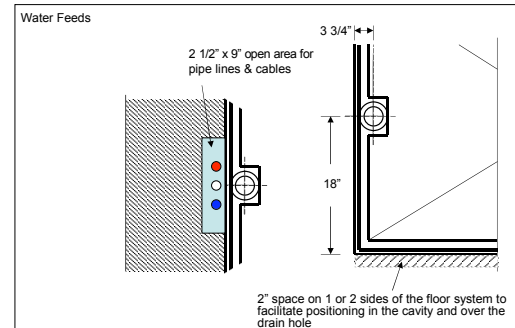
### TO INTEGRATE SCULPTURED HOMES COMPONENTS INTO EXISTING WALLS:



**D**

Floor system shown by way of illustration Can also be installed using Sculptured Homes tile flanges.

### PLUMBING:



**E**

**ELECTRICAL:**  
 Steam generator: 208v / 240v  
 Fibre-optic illuminator: 120v

### Dimensions & Weight:

**A.** Installed on top of existing floor:

	Dimensions	Weight
Standalone	51 1/4" (l) x 36" (w) x 90" (h)	999 lbs
Corner	48" (l) x 36" (w) x 90" (h)	999 lbs

**B.** Inset to sit level with existing floor:

	Dimensions	Weight
Standalone	51 1/4" (l) x 36" (w) x 86 3/4" (h)	999 lbs
Corner	48" (l) x 36" (w) x 86 3/4" (h)	999 lbs

### Installation Options:

- C.** Standalone: Simplify 3x4 can be installed remote from all existing walls ("standalone"), or in a corner. In the latter case, a Pantone colour of the customer's specification can be applied to the rear side of the glass to render it opaque.
- D.** For cases where the enclosure must incorporate one or more existing walls, Sculptured Homes offers individual components for sale. Please consult the Sculptured Homes Components Catalogue for details.

The floor system (b), seat (c), rim (d) and lightbox (e) are available for purchase individually (see Diagram A).

### Water Feeds & Flow Rate:

- E.** Source hot, cold and steam feeds at floor level or through wall access panel. Flow rate: Up to 17.5gpm. Water pressure: 14.5 - 72.5 psi  
 Pre-plumbed pressure tested plumbing manifold terminates with:
  - Hot and cold: 3/4" type L copper pipe
  - Steam: 1/2" or 3/4" type L copper pipe, per the manufacturer's specs.

### Electrical:

- E.** Steam generator: 208v / 240v depending on local utility line voltage  
 Fibre-optic illuminator: 120v  
 Location: up to 25ft from the WetSpa. See Steamist SM-7 technical literature for technical installation details.